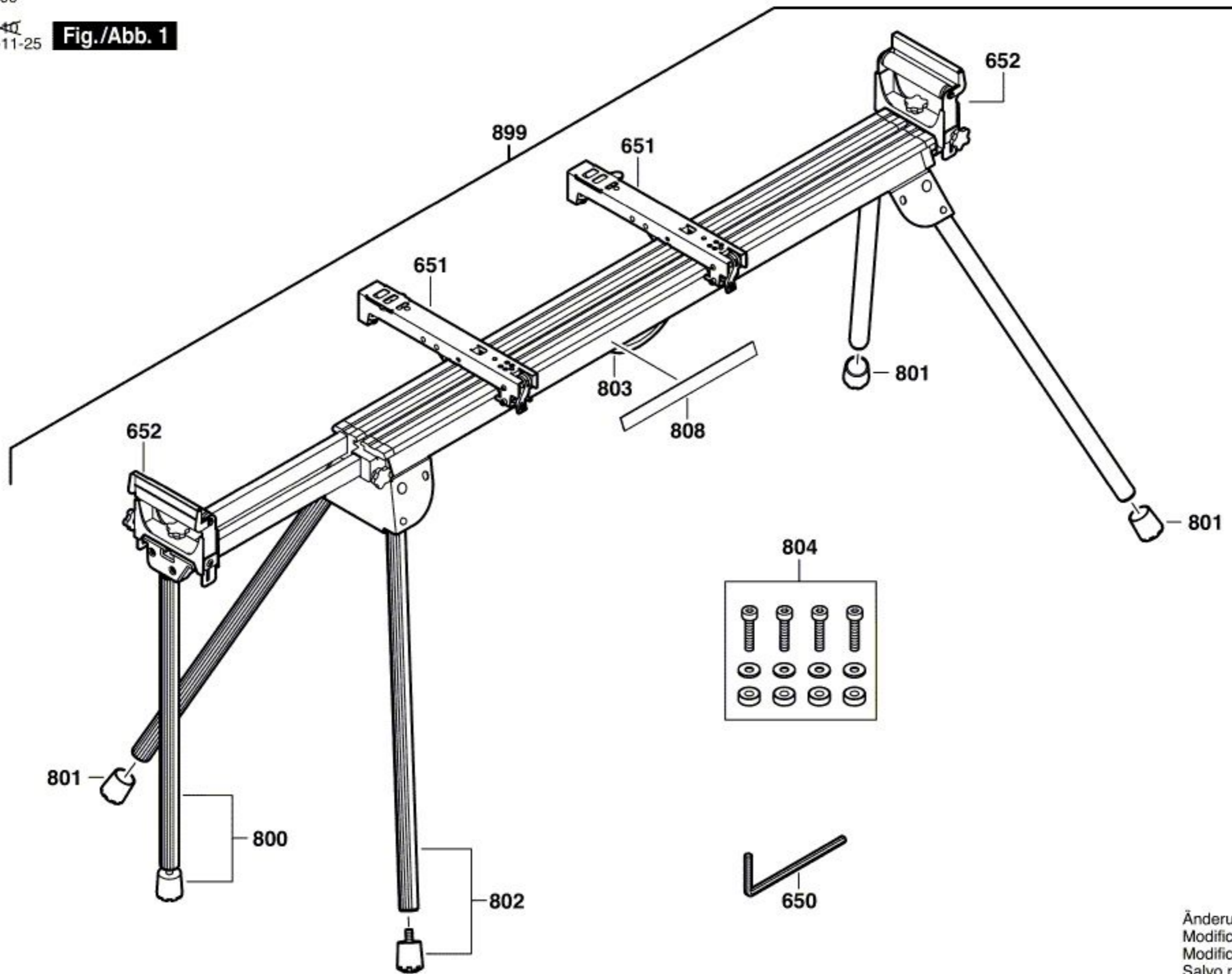


3 601 L10 900

Stand } 05-10
Issue } 05-11-25

Fig./Abb. 1



Änderungen vorbehalten
Modifications reserved
Modifications reserves
Salvo modificaciones